

(directly or indirectly controlled)

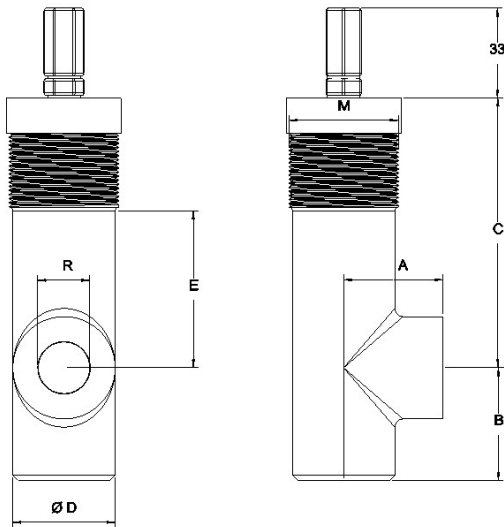
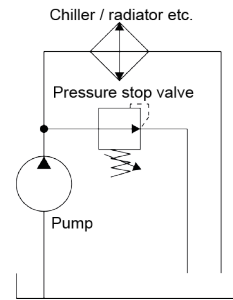
The DB pressure relief valves are direct-controlled piston valves. If the preset pressure is exceeded, it opens and feeds the medium back into the tank via a bypass pipe (leakage pipe).

Installation

Pressure relief valves series DB must be installed in an upright position. The valve will be installed in the discharge pipe with a bypass line. The bypass pipe at the outlet of the valve is returned pressureless to the tank.

Fluid : Oils up to a viscosity of 350 mm²/sec (special design on request)

Schematic diagram



Materials

Parts	Materials	
housing	cast iron- EN-GJL-250 - (GG25)	
piston	Case hardening steel, grinded	
seal	NBR max. 60 °C	FPM max. 180 °C

If type with handwheel is subject to order please add "H" to designation. For example: DBH/13 or DBGH/13.

Dimensions and weight

Größe Size	R" Thread	Druckbereich von - bis (bar) * Range of pressure (bar) from - to *				Durchfluß l/min bei p* Flow (l/min) under pressure of *			Maße Dimensions					
						2	50	120	A	B	C	D	E	M (**)
DB 13	½"	0 - 10	10 - 35	35 - 120	-	25	50	80	36,25	41	99	37,5	59	M40 x 1,5
DB 20	¾"	0 - 10	10 - 35	35 - 120	-	33	70	100	45	50	99,5	45		--
DB 25	1"	0 - 5	5 - 25	25 - 60	50 - 100	45	100	150	53,5	55,5	114,5	55	74,5	M52 x 1,5
DB 40	1½"	0 - 5	5 - 10	10 - 60	40 - 100	60	170	250	67	69	133	75	86	M70 x 2

(*) ± 3% | M(**) Special design only on request

Subject to change!